



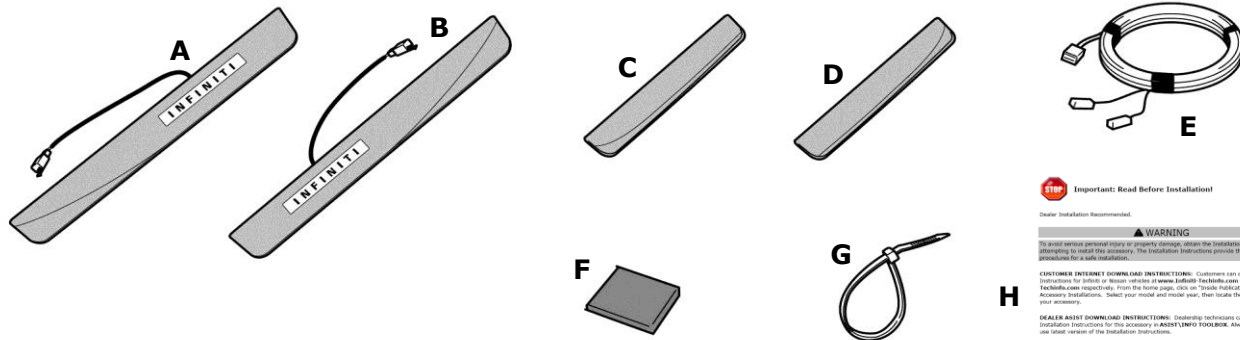
INFINITI

GENUINE PARTS

INSTALLATION INSTRUCTIONS

1. **DESCRIPTION:** Illuminated Kick Plate Kit
2. **APPLICATION:** QX56 (2011-2013) / QX80 (2014)
3. **PART NUMBER:** 999G6 3Z200, 999G6 3Z100, 999G6 3Z000
4. **KIT CONTENTS:**

Item	QTY	Description	Service Part Number
A	1	Illuminated Front Kick Plates (RH)	Not Serviceable- Part of Kit 999G6 3Zx00
B	1	Illuminated Front Kick Plates (LH)	
C	1	Non-illuminated Rear Kick Plate (RH)	
D	1	Non-illuminated Rear Kick Plate (LH)	
E	1	Harness	
F	15	Foam Tape	
G	11	Cable Tie	
H	1	Accessory Website Address Paper	



STOP Important: Read Before Installation!

Dealer Installation Recommended.

WARNING

To avoid serious personal injury or property damage, obtain the installation instructions before attempting to install this accessory. The installation instructions provide the necessary procedures for a safe installation.

CUSTOMER INTERNET DOWNLOAD INSTRUCTIONS: Customers can obtain installation instructions for this kit at www.infiniti.com or www.infiniti.com. From the home page, click on "Techs" (Technical) and select "Accessory Installations". Select your model and model year, then locate the instructions for your accessory.

DEALER ASSIST DOWNLOAD INSTRUCTIONS: Dealership technicians can locate the installation instructions for this accessory at www.infiniti.com. Always download and use latest version of the installation instructions.

5. TOOLS REQUIRED

- Trim stick
- Fish Tape
- Protective cloth
- Scissors
- Electrical tape, masking tape.
- Alcohol wipes
- Wire Cutters
- Thermometer

6. PRE-INSTALLATION CAUTION/NOTES

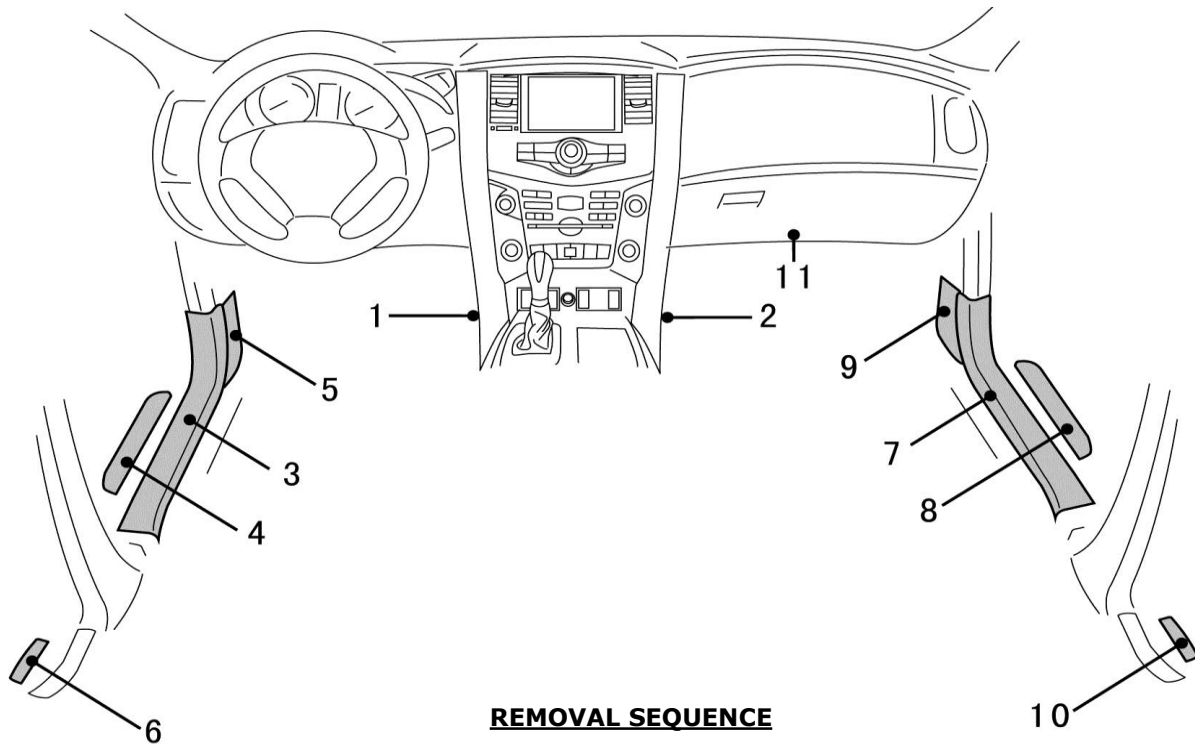
- Dealer installation recommended. Instructions may refer to Service Manual
- Installation may require special tools
- This part is to be installed within a surface temperature range of 60-110°F
- Install one side completely before starting on the other side

CAUTION

- This accessory must only be installed as specified in these instructions.
- Ensure at all times that parts are securely fitted and will not compromise the safe function of vehicle systems.

INSTALLATION INSTRUCTIONS - Illuminated Kick Plate Kit

7. INSTALLATION OVERVIEW



REMOVAL SEQUENCE

1. Center Console Lower Panel, LH
2. Center Console Lower Panel, RH
3. Front Kick Panel Inner, LH
4. Front Kick Panel Outer, LH
5. Dash Side Lower Panel LH
6. Rear Kick Plate Outer LH
7. Front Kick Panel Inner, RH
8. Front Kick Panel Outer, RH
9. Dash Side Lower Panel RH
10. Rear Kick Plate Outer RH
11. Lower Cover RH

8. CRITICAL STEPS

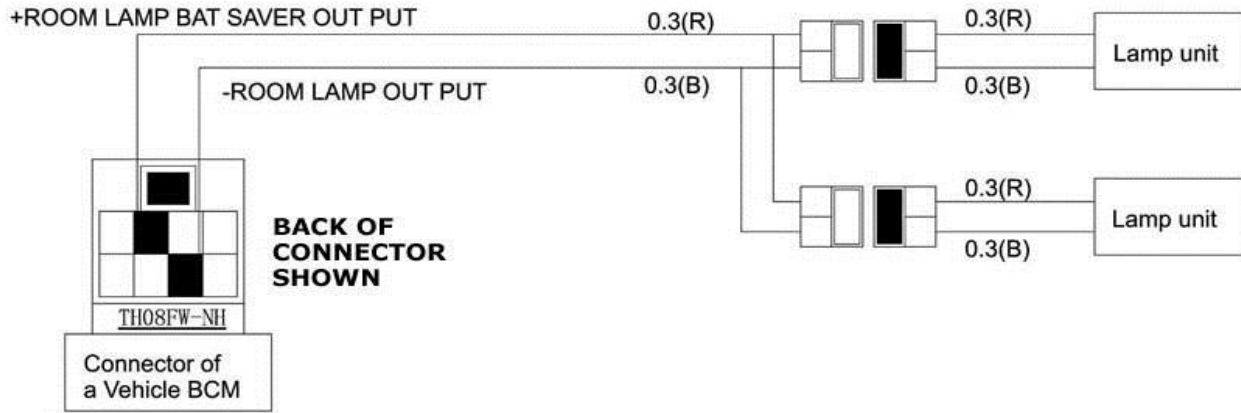
The following steps are critical and must be performed **EXACTLY** as specified to ensure proper installation:

- Location of the lights must be followed exactly as described in this instruction.
- Be sure to apply masking tape as needed in order to protect any areas that may become scratched or damaged by tools.
- Be sure to apply foam tape to any wiring components that can be damaged over time by sharp edges.
- Test the functionality of the kit before final clean up and reinstallation of interior panels.

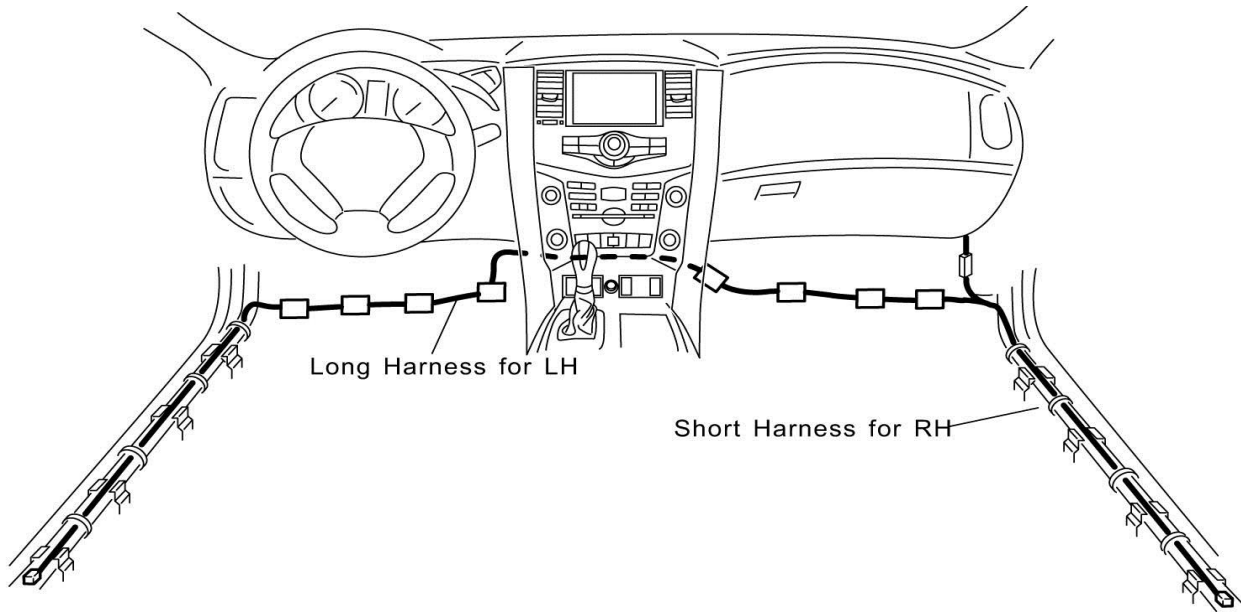
INSTALLATION INSTRUCTIONS - Illuminated Kick Plate Kit

9. INSTALLATION OVERVIEW

INSTALLATION OUTLINE:



INSTALLATION OUTLINE:



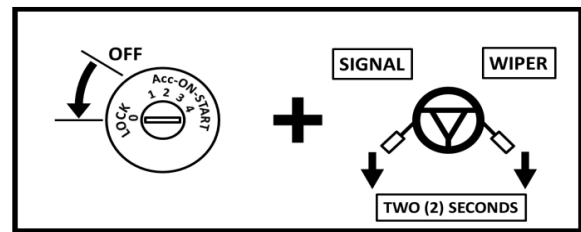
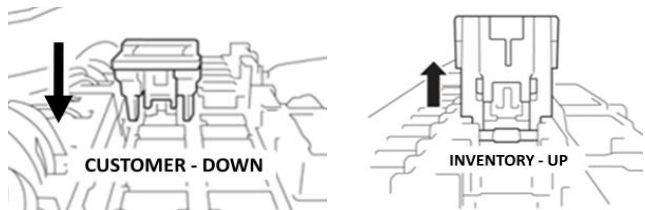
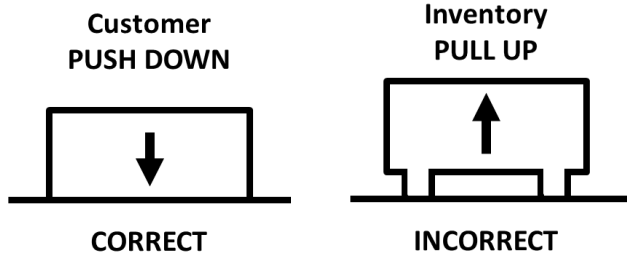
Vehicle Preparation:

⚠ CAUTION

• Always confirm the ignition is in the "OFF" position before changing the switch condition.

- 1) Apply parking brake
- 2) Confirm vehicle is not in the default shipping state or "Inventory position" as shown below. Failure to confirm vehicle has been removed from this state will result in loss of normal vehicle operation.
- 3) Locate Extended Storage Switch in cabin fuse block. Confirm it is in the "Customer" position. See below for reference.
 - a) To remove transit mode (Fuse Block):
 1. Remove fuse cover lid.
 2. Push down shorting pin.
 3. Ign On 2 times without starting the vehicle.
 - b) To remove transit mode (BCM):
 1. Confirm ignition switch is in "OFF" position.
 2. Simultaneously push the signal and wiper switch fully down for two (2) seconds.

NOTE: While in BCM Transit Mode, turn signal indicators will remain illuminated for one minute.



- c) To return to transit mode for storage:
 1. Ign Off.
 2. Remove fuse cover lid.
 3. Pull up shorting pin.
 4. Assemble fuse cover lid.
 5. Ign On 2 times without turn the vehicle on.
 6. Confirm transit mode condition on meter

NOTE: Typical vehicle condition shown above. Switch is easily identifiable by the permanent, push-pull fuse holder. Actual position on the fuse block may vary, vehicle to vehicle.

Condition	Switch Position	Note
Vehicle is delivered to the dealer	Inventory Condition	
Technician performs PDI	Customer Delivery	Return to Inventory position after PDI.
Customer test drives the vehicle	Customer Delivery	Return to Inventory position after test drive.
Vehicle is being stored at the dealer	Inventory Condition	
Vehicle is delivered to customer	Customer Delivery	

NOTE: The Extended Storage Switch is only an aid to improve battery life during vehicle storage at the dealer. If the Extended Storage Switch fuse ever needs service after vehicle delivery, discard the Extended Storage Switch and install the correct fuse in its place.

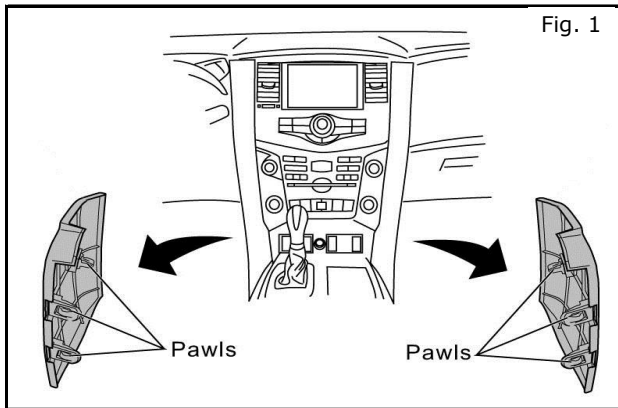
- 4) Turn ignition switch to "ON" position
- 5) Record the customer radio presets and other presets as required.

Preset	1	2	3	4	5	6		

- 6) Put shift lever in "P" position for A/T and CVT or "1st" for M/T
- 7) Turn ignition switch to "OFF" position
- 8) Use seat and floor protection.

INSTALLATION INSTRUCTIONS - Illuminated Kick Plate Kit

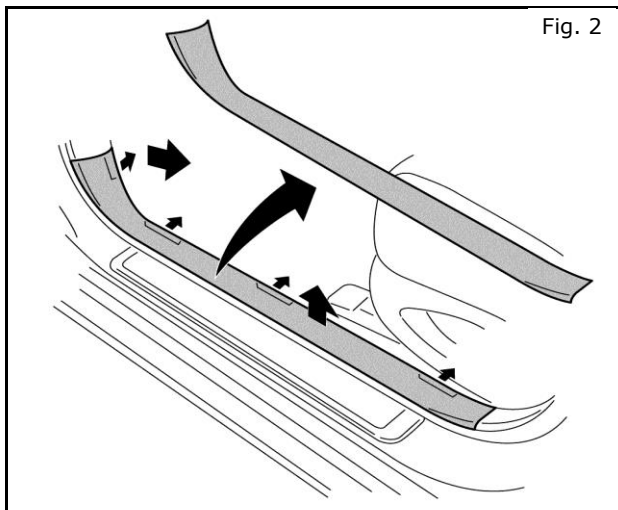
12. INTERIOR PREPARATION



- 1) Carefully pry off the inner footwell trim panels on both sides of center stack.

NOTE:

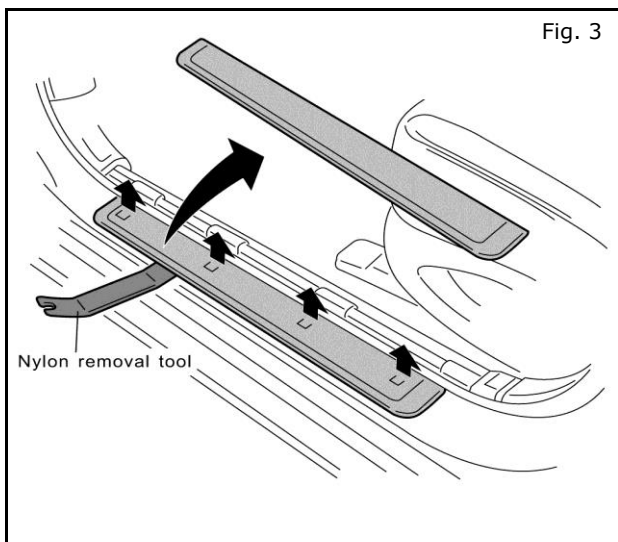
Use caution when disconnecting pawls on inside of panel.



- 2) Carefully pry off inner door sill trim panel (LH) and remove from vehicle.

NOTE:

Be careful not to damage any mounting the clips on the panel.



- 3) Carefully pry off door sill kick plate (LH) and remove from vehicle.

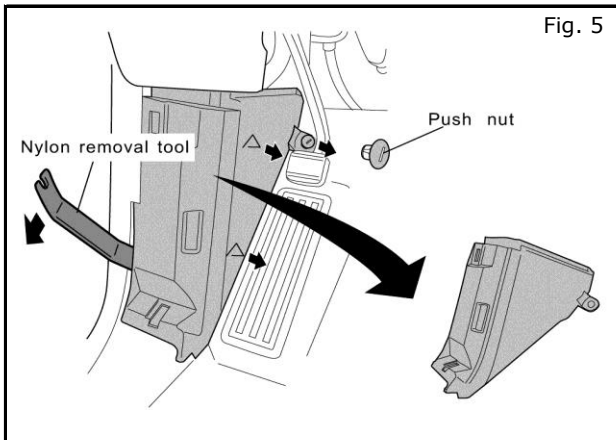
NOTE:

Be careful not to damage any mounting clips on the panel.

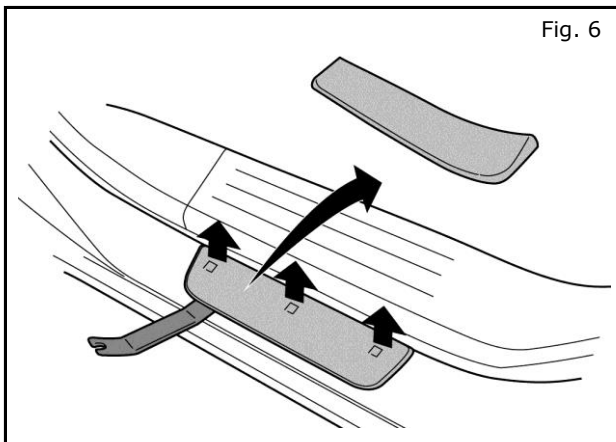
- 4) REPEAT STEPS 2 AND 3 FOR PASSENGER SIDE (RH).

INSTALLATION INSTRUCTIONS - Illuminated Kick Plate Kit

12. INTERIOR PREPARATION



- 5) Remove Push Nut at top of outer footwell trim panel as shown. Carefully pry off outer footwell trim panel and remove from vehicle.

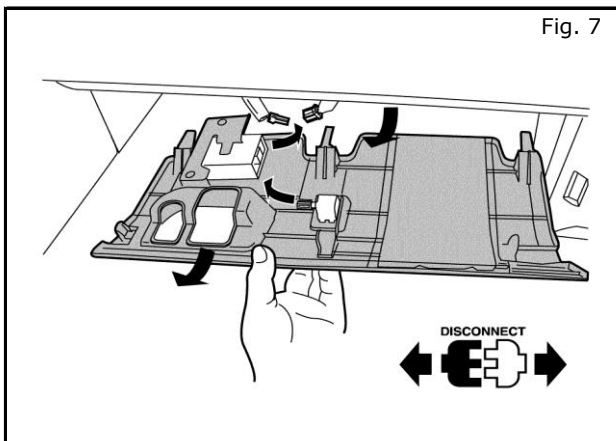


- 6) Carefully pry off rear door sill kick plate (LH) and remove from vehicle.

NOTE:

Be careful not to damage any mounting clips on the panel.

- 7) REPEAT STEPS 5 AND 6 FOR PASSENGER SIDE (RH).



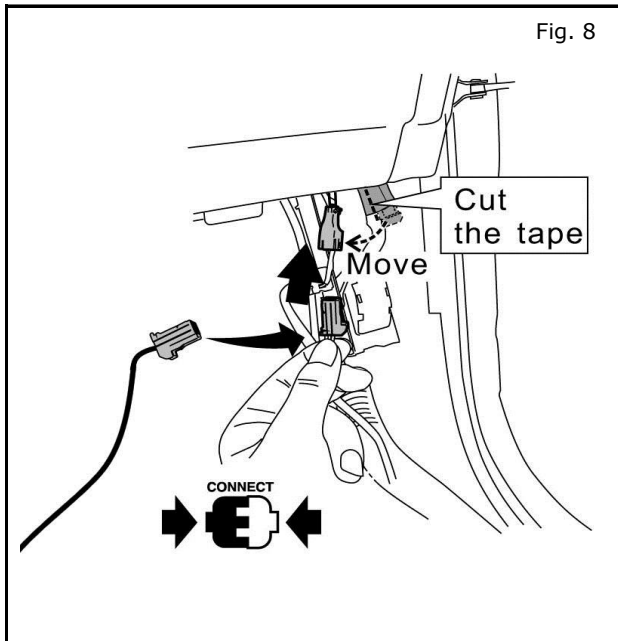
- 8) Carefully pry off lower cover panel from underneath the glovebox. Disconnect the footwell lamp plug.

NOTE:

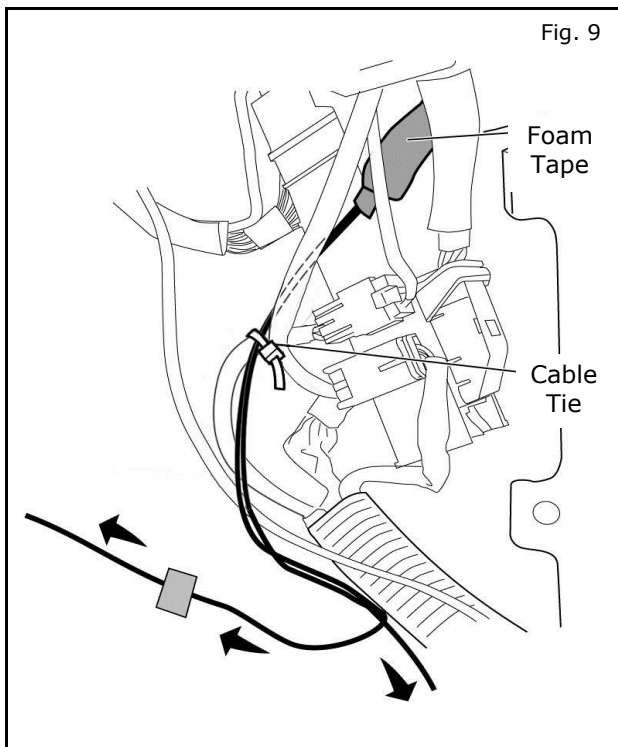
Be careful not to damage any mounting clips on the panel.

INSTALLATION INSTRUCTIONS - Illuminated Kick Plate Kit

13. INSTALLATION



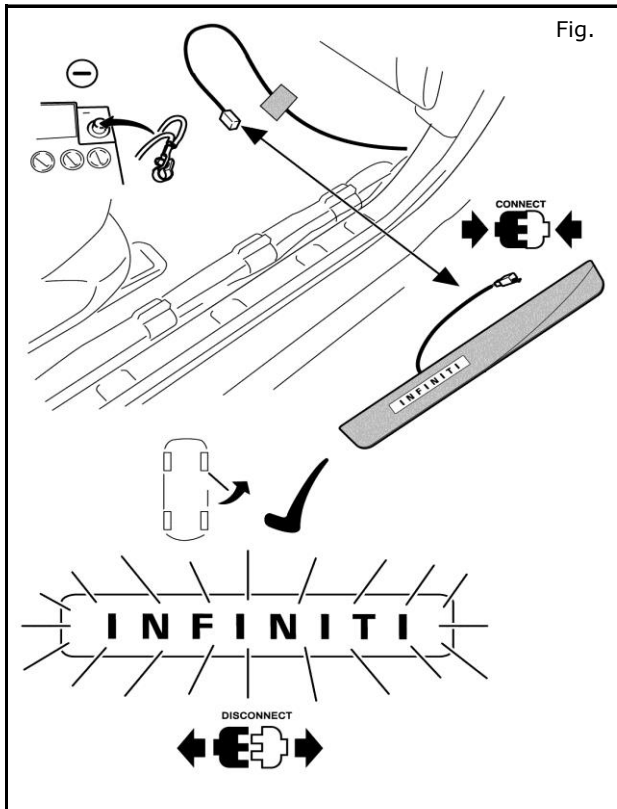
- 9) Carefully cut away tape holding vehicle connector and move connector down into position. Attach new harness to connector as shown.



- 10) Wrap connectors with one (1) piece of foam tape as shown. Secure new harness to vehicle harness with one (1) cable tie as shown.

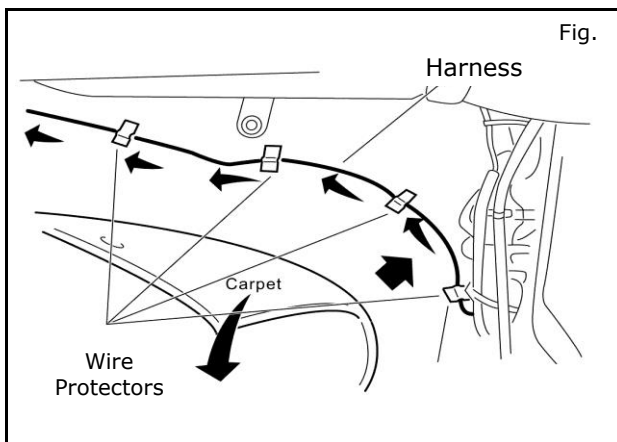
INSTALLATION INSTRUCTIONS - Illuminated Kick Plate Kit

13. INSTALLATION



11) FUNCTION CHECK

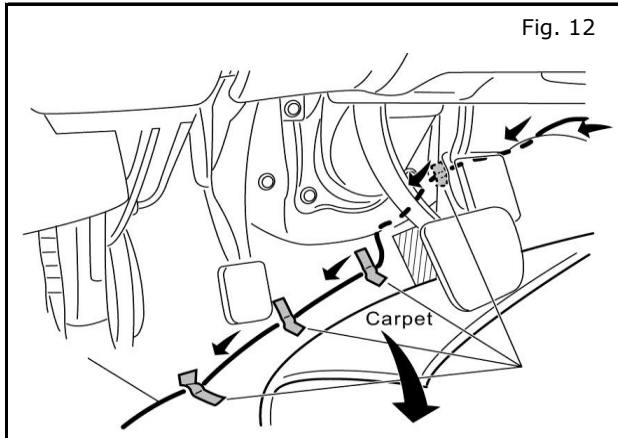
- 1) Connect the new Kick Plate to the harness.
- 2) Connect battery.
- 3) Confirm that "INFINITI" text illuminates when door is open.
- 4) If Kick Plate functions correctly, disconnect harness.
- 5) If Kick Plate does not function correctly, check harness. Repeat step 3.
- 6) Disconnect battery.
- 7) Connection should not fall below 25mm from floor board.



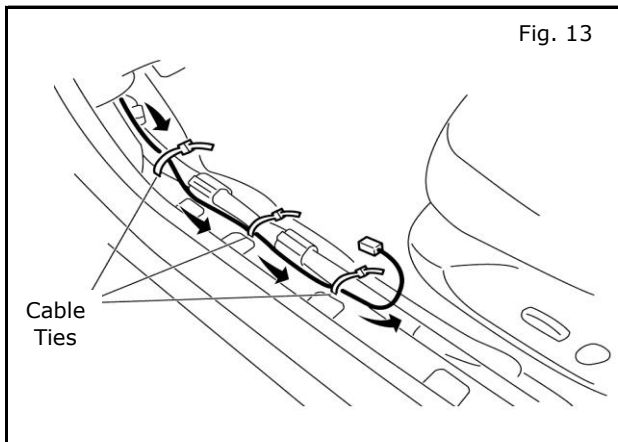
- 12) Pull down carpet in passenger side footwell. Route harness over to driver side by passing it through center console. Use four (4) pieces of foam tape to secure harness to footwell underneath carpet.

INSTALLATION INSTRUCTIONS - Illuminated Kick Plate Kit

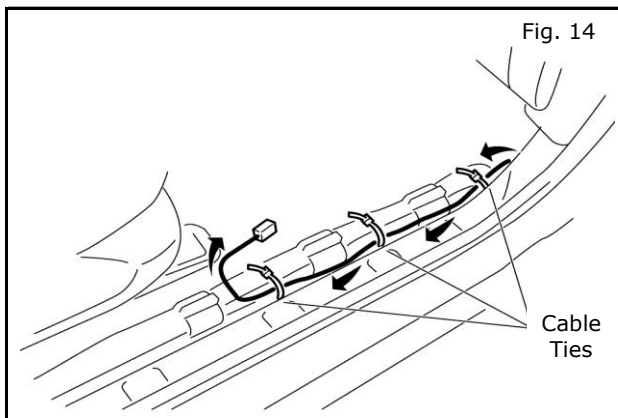
13. INSTALLATION



- 13) Pull down carpet in driver side footwell. Route harness under accelerator and brake pedals as shown. Use four (4) pieces of foam tape to secure harness to footwell underneath carpet.



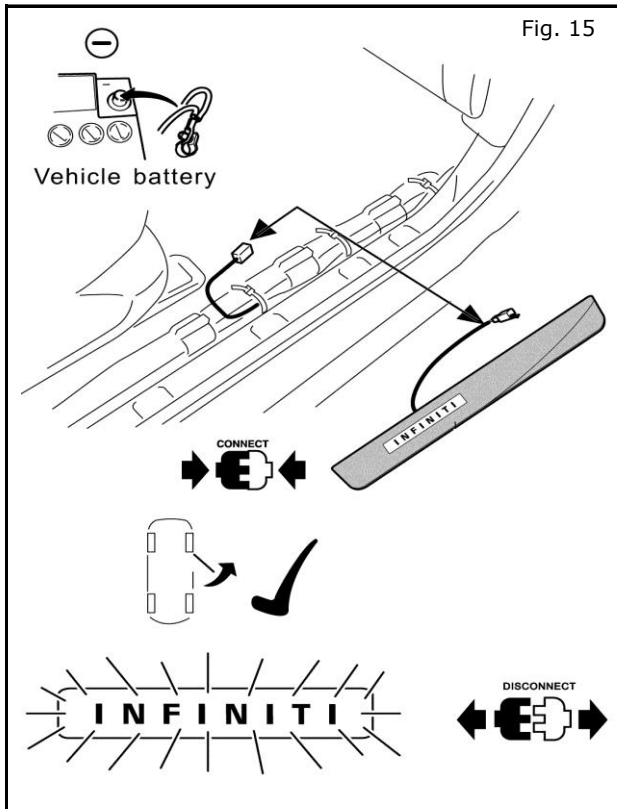
- 14) Route harness along existing vehicle harness and secure with cable ties as shown.



- 15) On **passenger** side, route short harness along existing vehicle harness and secure with cable ties as shown.

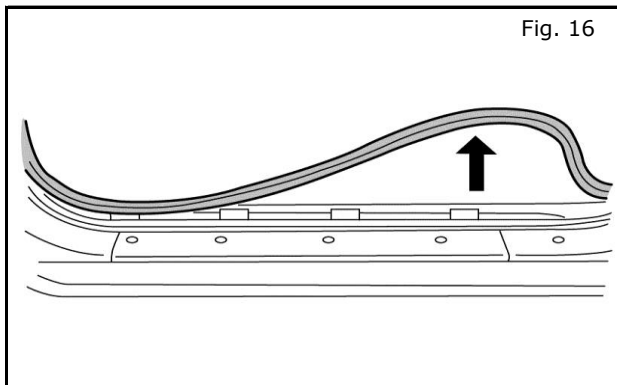
INSTALLATION INSTRUCTIONS - Illuminated Kick Plate Kit

13. INSTALLATION



16) SECOND FUNCTION CHECK

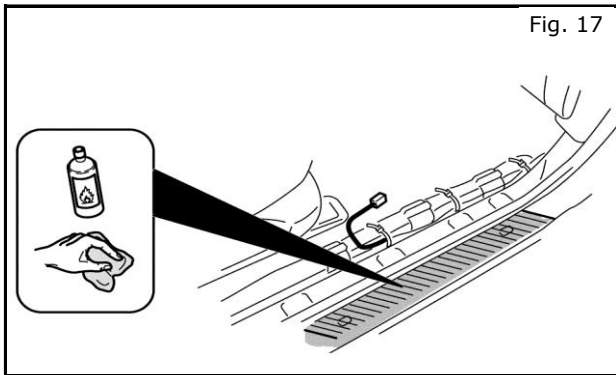
- 1) Connect both Kick Plates to harness.
- 2) Connect battery.
- 3) Confirm that "INFINITI" text illuminates when door is open.
- 4) If Kick Plates function correctly, disconnect harness.
- 5) If Kick Plates do not function correctly, check harness. Repeat step 3.
- 6) Disconnect battery.
- 7) Connection should not fall below 25mm from floor board.



- 17) Carefully pull weatherstrip up at door sill on **passenger side**.

INSTALLATION INSTRUCTIONS - Illuminated Kick Plate Kit

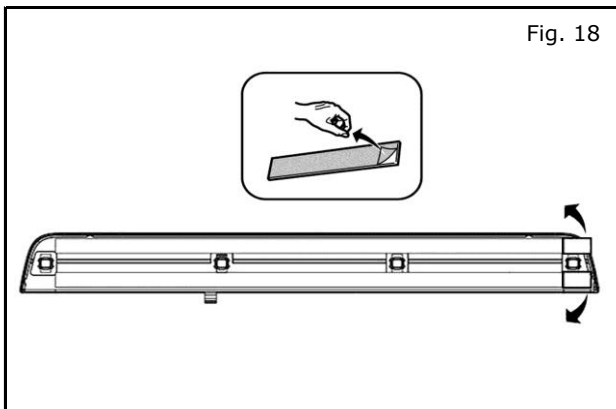
13. INSTALLATION



- 18) Clean area where new Kick Plate will be attached with 100% alcohol solution. Let dry for 30 seconds.

NOTE:

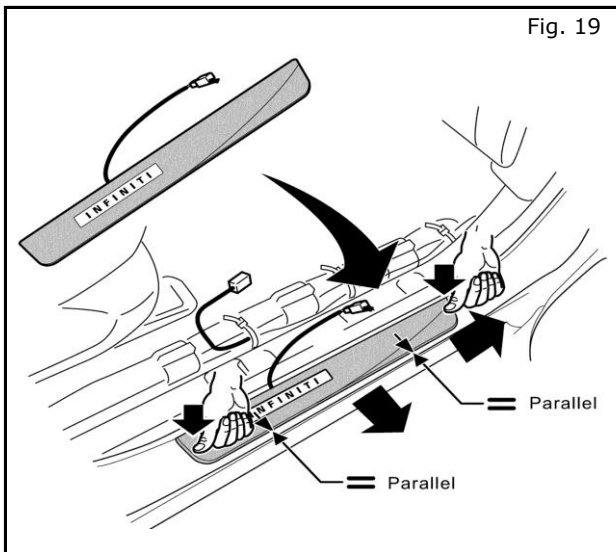
If necessary, wipe the area clean of any dirt and grime before using alcohol.



- 19) On back of Kick Plate, pull starter tabs on adhesive liners out beyond the edges of the plate.

NOTE:

Do not fully remove the adhesive liners at this time.



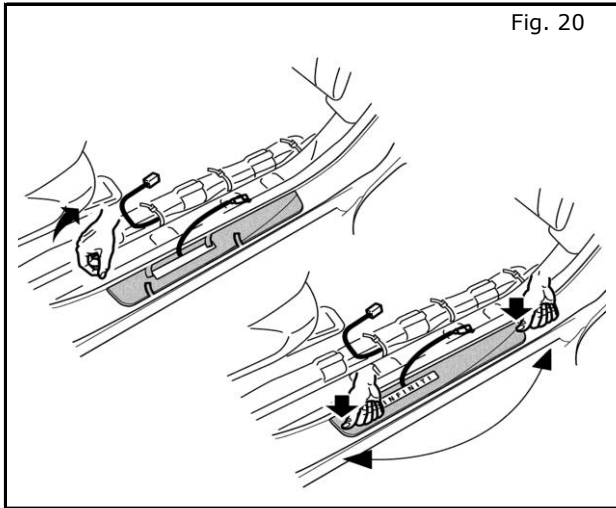
- 20) Align pins on new Kick Plate with holes on vehicle and position plate on vehicle. Be careful to keep outside edge parallel to rocker panel.

NOTE:

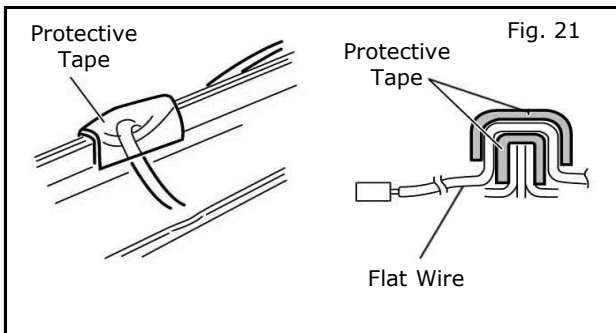
Use caution when applying pressure to the Kick Plate to avoid denting the part. Do not allow the harness to get stuck between the vehicle and the kick plate. Harness should route through the notched area on the plate.

INSTALLATION INSTRUCTIONS - Illuminated Kick Plate Kit

13. INSTALLATION



- 21) Hold Passenger Side Kick Plate in position on vehicle and peel liners from underside of plate. Apply minimum 11 lbs (49Nm) of pressure along kick plate to secure adhesive.

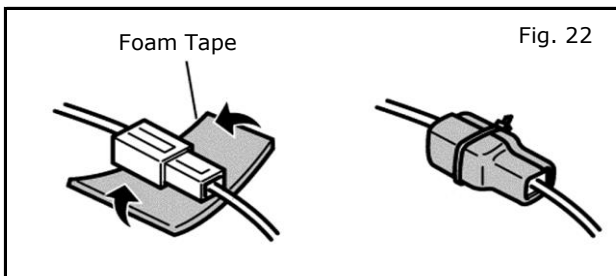


- 22) Fold one (1) piece of foam tape and cut into two equal pieces.

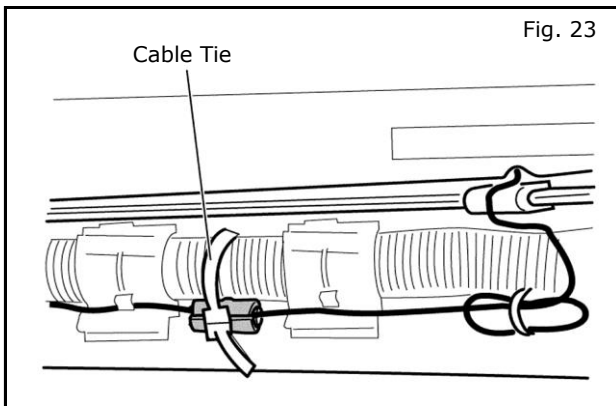


CAUTION

Clean attachment area on metal vehicle flange with 100% alcohol solution. Let dry for 30 seconds. Attach one piece of foam tape to vehicle flange. Route harness over tape end apply second piece of foam tape over top of harness.



- 23) Plug Kick Plate connector into harness. Wrap connectors with foam tape.

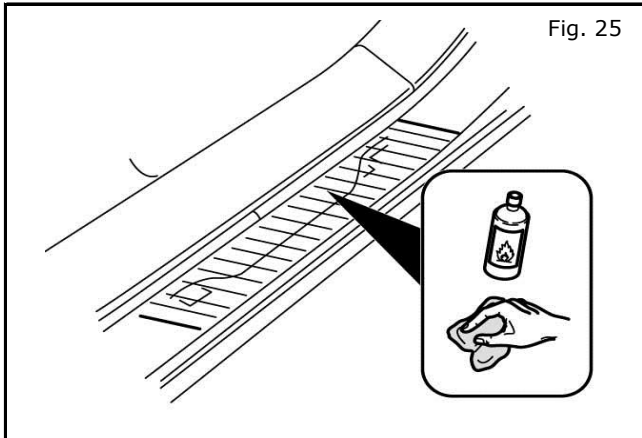


- 24) Route any excess harness along existing vehicle harness and secure with cable ties as shown.

- 25) **REPEAT STEPS 18 THROUGH 24 FOR DRIVER SIDE OF VEHICLE.**

INSTALLATION INSTRUCTIONS - Illuminated Kick Plate Kit

13. INSTALLATION

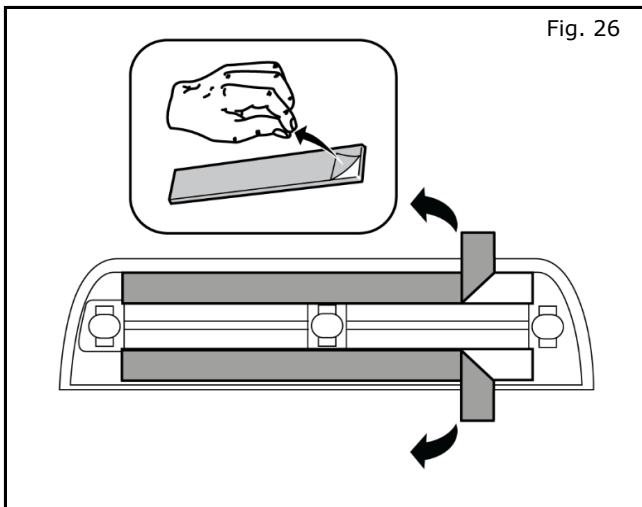


REAR DOORS (NON ILLUMINATED)

26) Clean area where new Kick Plate will be attached with 100% alcohol solution. Let dry for 30 seconds.

NOTE:

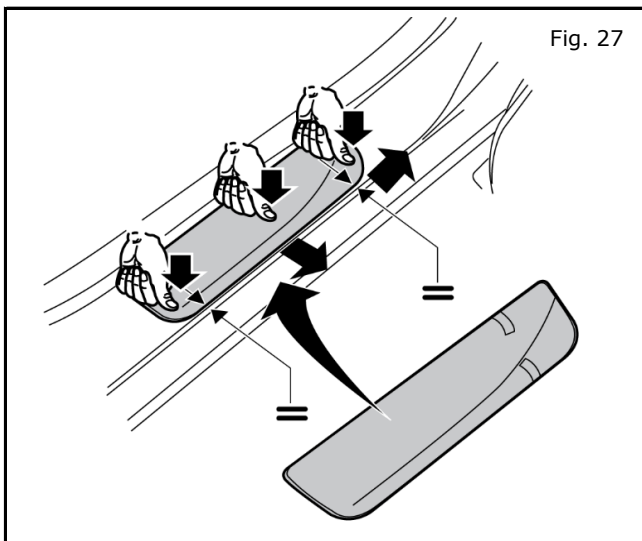
If necessary, wipe the area clean of any dirt and grime before using alcohol.



27) On back of Kick Plate, pull starter tabs on adhesive liners out beyond edges of plate.

NOTE:

Do not fully remove the adhesive liners at this time.



28) Align pins on new Kick Plate with holes on vehicle and position plate on vehicle. Snap clip in smallest hole first. Then snap other two clips fully. Be careful to keep outside edge parallel to rocker panel.

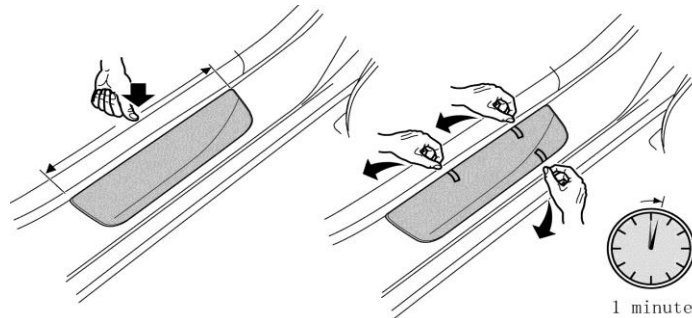
NOTE:

Use caution when applying pressure to the Kick Plate to avoid denting the part.

INSTALLATION INSTRUCTIONS - Illuminated Kick Plate Kit

13. INSTALLATION

Fig. 28



29) Hold rear Kick Plate in position on vehicle and peel liners from underside of plate. Apply minimum 11 lbs (49Nm) of pressure along kick plate to secure adhesive.

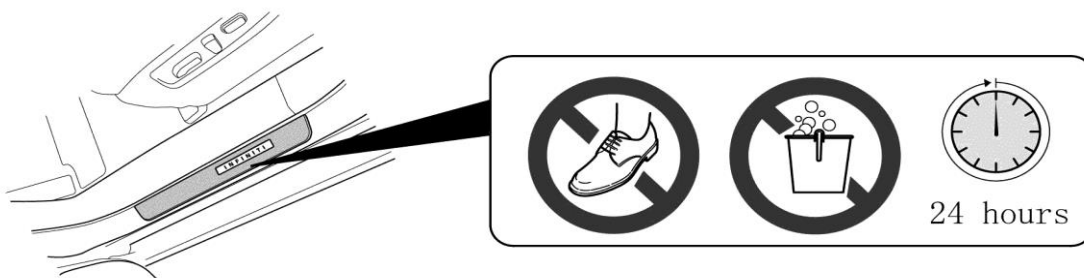
30) **REPEAT STEPS 26 THROUGH 29 FOR PASSENGER SIDE.**

31) **REVERSE STEPS 1, 2, 5 and 7 TO REINSTALL TRIM PANELS AND INTERIOR COMPONENTS**

32) Trim all cable ties. Check all components. Clean vehicle

⚠ CAUTION

DO NOT STEP ON OR WASH THE KICK PLATES FOR 24 HOURS FOLLOWING INSTALLATION.



INSTALLATION INSTRUCTIONS - Illuminated Kick Plate Kit

14. CHECK OUT

Inspect the vehicle for unfinished work.

- (1) Open front left door.
- (2) Verify the illuminated Kick Plate turns on.
- (3) Push and hold the door status switch located on the vehicles center pillar. The kick plate should turn off within a few minutes.
- (4) Repeat steps 1 - 4 with the front right door.
- (5) Verify the functionality of all electrical vehicle components where harnesses were accessed.
- (6) Check and clear trouble codes (DTC).
- (7) If this vehicle will be returned to a dealer lot or showroom for an extended period of time, be sure the extended storage switch is placed in the "inventory" position.
(Refer to section 9 - Vehicle Preparation)
- (8) If vehicle is NOT going into storage, reset the radio presets to the recorded settings.

NOTE:

When diagnosing electrical system problems, first disconnect the accessory connectors and note effect on system. Continue the investigation with the accessory connectors disconnected. Remember to reconnect the accessories when the investigation is complete.

INSTALLATION INSTRUCTIONS - Illuminated Kick Plate Kit

16. MECHANIZATION

